

Free of play.

Temco Axial bearing AL for ball screw

With the development of the high-precision and therefore backlash-free Temco AL axial bearings, Saurer has designed solutions specifically for use in small ball screws.

The easy-to-mount series is suitable for all applications in which axial forces have to be absorbed.

Application area

The AL series is designed for the bearing support of small ball screws under high loads. The backlash-free and maintenance-free design of the axial bearings is the prerequisite for maximum positioning accuracy

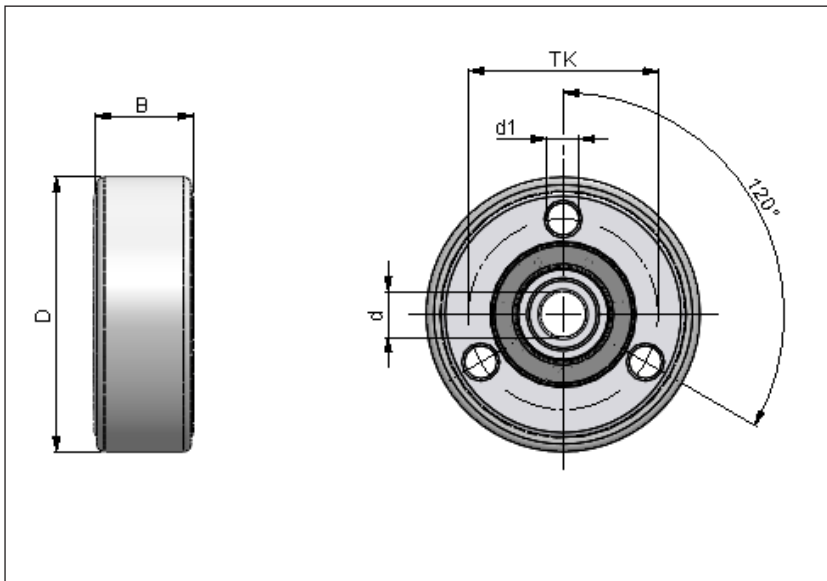
The AL3613-00 and the AL3613-01 have mainly the task of absorbing the axial forces generated by the translatory movements of the linear slide.



Features and advantages

- Without axial bearing clearance
- easy mounting in the housing due to the flange holes
- can be used without restrictions up to 6 000 1/min
- Integrated bearing technology for very smooth running
- considerably longer operating time
- corrosion resistant
- maintenance-free
- Lubricated for life

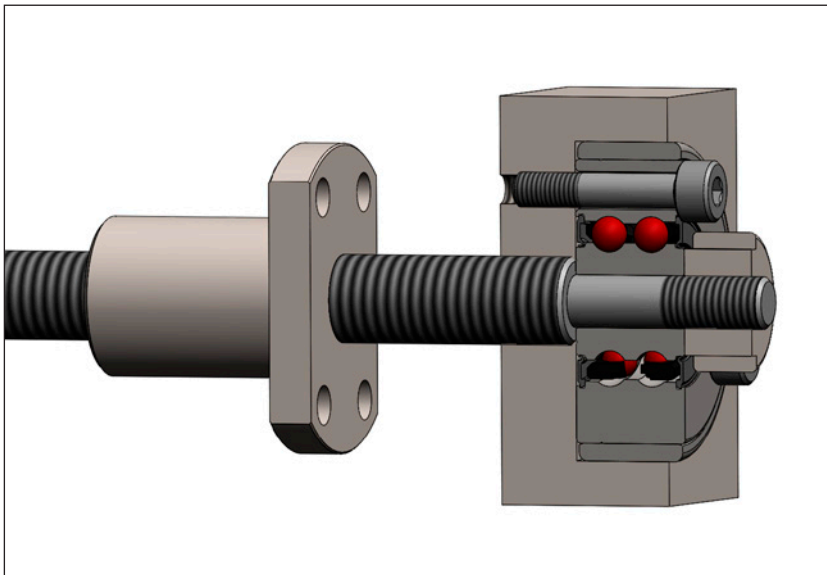
Types



Operational data

Type	D [mm]	d [mm]	B [mm]	TK [mm]	d1 [mm]	Max. Speed [rpm]	Dyn. load rating (axial) [kN]	Dyn. oad rating (radial) [kN]	Axial Stiffness [N/ μ m] t
AL3613-00	Ø36	Ø6	13	Ø30	3 × Ø4,3	6000	3,0	4,9	51
AL3613-01	Ø36	Ø8	13	Ø30	3 × Ø4,3	6000	3,0	4,9	51

Other types with the bore diameters Ø4, Ø5 und Ø10 mm on request.



Installation example: threaded spindle with bearing arrangement